



## Very Narrow Aisle

# A

Capacity 1.0 – 1.5 t | Series 5224

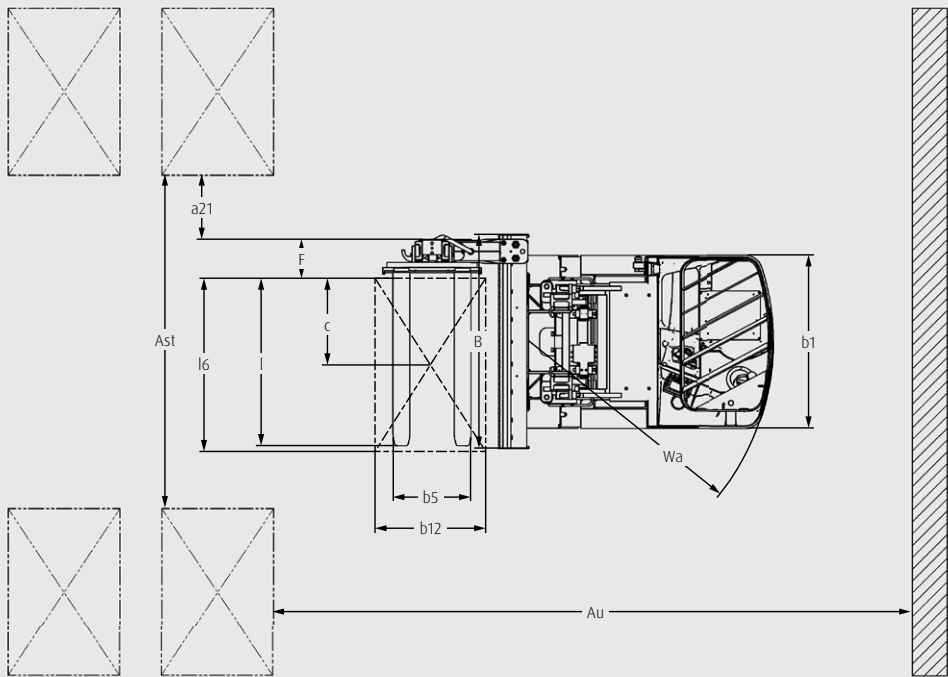
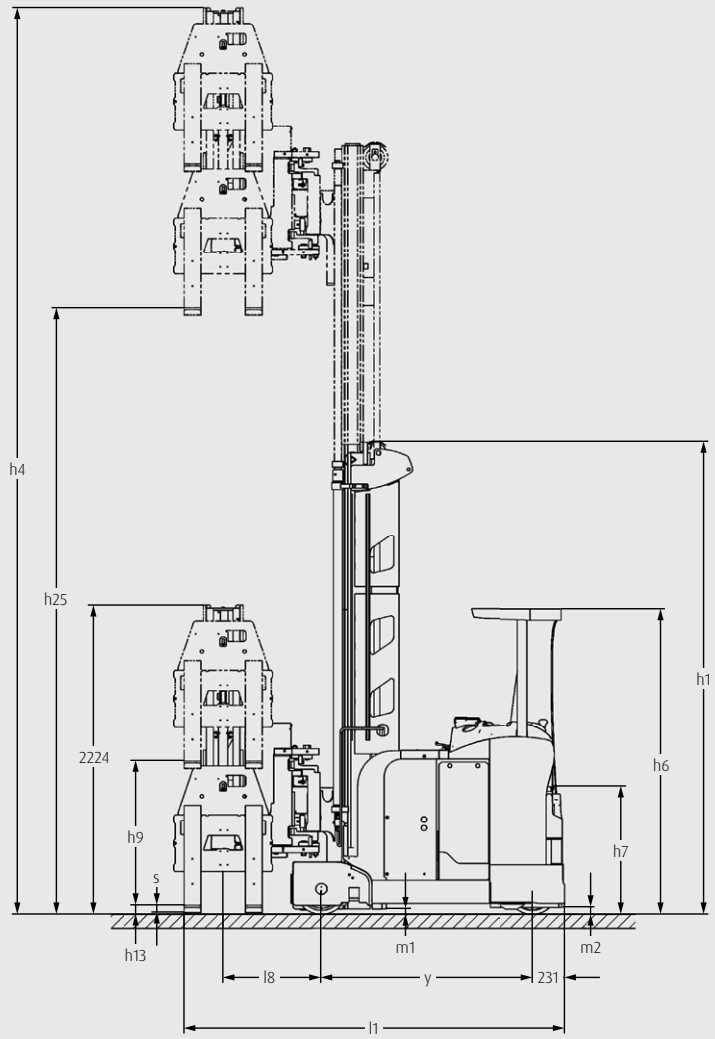
### Narrow Pace Setter

- Unique modular designed truck enables the perfect specification for individual customer applications.
- Linde System Control (LSC) adjusts lift and travel speeds relative to lift height and load weight.
- Dynamic Reach Control (DRC) reduces mast-oscillations while loads handling, thus ensuring increased safety and higher handling performance.
- Linde ergonomic design concept achieves perfect interface between operator and truck.

# TECHNICAL DATA (According to VDI 2198)

Characteristics	1.1	Manufacturer		LINDE	LINDE	LINDE
	1.2	Manufacturer's type designation		A	A	A
	1.2a	Series		5224	5224	5224
	1.3	Power unit		Battery	Battery	Battery
	1.4	Operation		Seated	Seated	Seated
	1.5	Load capacity/Load	Q (t)	1	1.35	1.5
	1.6	Load centre distance	c (mm)	600	600	600
Weights	1.9	Wheelbase	y (mm)	1595	1844	1916
	2.1	Service weight	(kg)	5579	6968	8602
Wheels/Tyres	2.3	Axle load without load, front/ rear	(kg)	1989/3591	2426/4541	2854/5748
	3.1	Tyres rubber, SE, pneumatic, polyurethane		Polyurethane	Polyurethane	Polyurethane
	3.2	Tyre size, front		360/130	360/130	360/130
	3.3	Tyre size, rear		370/160	370/160	370/160
	3.5	Wheels, number front/rear (x = driven)		1x/2	1x/2	1x/2
	3.6	Track width, front	b10 (mm)	-	-	-
	3.7	Track width, rear	b11 (mm)	1290	1290	1390
Dimensions	4.2	Height of mast, lowered	h1 (mm)	4900	3900	5900
	4.3	Free lift	h2 (mm)	-	2650	4650
	4.4	Lift height	h3 (mm)	7600	7450	12850
	4.5	Height, mast raised	h4 (mm)	9050	8900	14300
	4.7	Height to top of overhead guard	h6 (mm)	2200	2200	2200
	4.8	Seat height	h7 (mm)	1050	1050	1050
	4.15	Fork height lowered	h13 (mm)	60	60	60
	4.19	Overall length (including forks)	l1 (mm)	2887	3136	3208
	4.21	Overall width	b1/b2 (mm)	1250/1500	1250/1500	1250/1600
	4.22	Fork dimensions	s/e/l (mm)	50/120/1200	50/120/1200	50/120/1200
	4.23	Fork carriage to DIN 15173/class/form A, B, no	(mm)	Special	Special	Special
	4.24	Width of fork carriage	b3 (mm)	710	710	710
	4.25	Width of forks min./max.	b5 (mm)	470/640	470/640	470/640
	4.27	Width over side guide rollers	b6 (mm)	1675	1660	1760
	4.29	Lateral reach travel	b7 (mm)	1373	1295	1350
	4.31	Ground clearance beneath mast, laden	m1 (mm)	40	40	40
	4.32	Ground clearance at centre of wheelbase	m2 (mm)	80	80	80
	4.34	Aisle width	Ast (mm)	1740	1665	1765
	4.35	Turning radius	Wa (mm)	1826	2075	2147
	4.38	Centre of axle to fork pivot	l8 (mm)	706	706	706
4.39	Head centre	A (mm)	480	480	480	
4.40	Width of reach carriage	B (mm)	1560	1465	1495	
4.41	Head width	F (mm)	277	277	287	
4.42	Transfer aisle width (minimum)	Au (mm)	3356	3605	3680	
Performance	5.1	Travel speed, with/without load	(km/h)	10.5/10.5	10.5/10.5	10.5/10.5
	5.2	Lift speed, with/without load	(m/s)	0.57/0.57	0.56/0.57	0.43/0.43
	5.3	Lowering speed, with/without load	(m/s)	0.45/0.45	0.45/0.45	0.45/0.45
	5.4	Reach speed, with/without load	(m/s)	0.33/0.33	0.30/0.30	0.29/0.29
	5.9	Acceleration time, with/without load	(s)	5/5	6/6	6/6
	5.10	Brakes		Regenerative	Regenerative	Regenerative
Drive	6.1	Drive motor, Power	(kW)	6.5/S2 = 60 min	6.5/S2 = 60 min	6.5/S2 = 60 min
	6.2	Lift motor, Power	(kW)	24.0/S3 = 15 %	24.0/S3 = 15 %	24.0/S3 = 15 %
	6.3	Battery		IEC 254-2; C	IEC 254-2; C	IEC 254-2; C
	6.4	Battery type, voltage, capacity (5 h)	(V/Ah)	PzS, 48 V, 700 Ah	PzS, 48 V, 980 Ah	PzS, 48 V, 1120 Ah
	6.5	Battery weight (± 5 %)	(kg)	1119	1498	1688
Others	8.1	Type of drive control		Microprocessor	Microprocessor	Microprocessor
	8.4	Noise level at operator's ear	dB (A)	68	68	68

Values can vary ± 10 %. The calculated speed profiles are based on our floor quality rules. Subject to change without notice.  
 Exemplary configuration based on modular system. Please contact your local sales department for an individual truck configuration.



# MAST TABLES

## STANDARD MAST BASIC (1000 KG) (in mm)

Series	5224						
Lift	h3: 2200	h3: 2600	h3: 3600	h3: 4600	h3: 5600	h3: 6600	h3: 7600
Height measurements	h1: 2200	h1: 2400	h1: 2900	h1: 3400	h1: 3900	h1: 4400	h1: 4900
	h13: 60	h13: 60	h13: 60	h13: 60	h13: 60	h13: 60	h13: 60
	h9: 1105	h9: 1105	h9: 1105	h9: 1105	h9: 1105	h9: 1105	h9: 1105
	h25: 3365	h25: 3765	h25: 4765	h25: 5765	h25: 6765	h25: 7765	h25: 8765
h4: 4418	h4: 4818	h4: 5818	h4: 6818	h4: 7818	h4: 8818	h4: 9818	
Model							
A	<input type="radio"/>	<input type="radio"/>	<input type="radio"/>	<input type="radio"/>	<input type="radio"/>	<input type="radio"/>	<input type="radio"/>

## STANDARD MAST HEAVY (1500 KG) (in mm)

Series	5224						
Lift	h3: 1800	h3: 2200	h3: 3200	h3: 4200	h3: 5200	h3: 6200	h3: 7200
Height measurements	h1: 2200	h1: 2400	h1: 2900	h1: 3400	h1: 3900	h1: 4400	h1: 4900
	h13: 60	h13: 60	h13: 60	h13: 60	h13: 60	h13: 60	h13: 60
	h9: 1040	h9: 1040	h9: 1040	h9: 1040	h9: 1040	h9: 1040	h9: 1040
	h25: 2900	h25: 3365	h25: 4300	h25: 5300	h25: 6300	h25: 7300	h25: 8300
h4: 4018	h4: 4418	h4: 5418	h4: 6418	h4: 7418	h4: 8418	h4: 9418	
Model							
A	<input type="radio"/>	<input type="radio"/>	<input type="radio"/>	<input type="radio"/>	<input type="radio"/>	<input type="radio"/>	<input type="radio"/>

## TRIPLEX MAST HEAVY (1500 KG) (in mm)

Series	5224								
Lift	h3: 2950	h3: 3550	h3: 5050	h3: 6350	h3: 7450	h3: 8750	h3: 10050	h3: 11550	h3: 12850
Height measurements	h1: 2200	h1: 2400	h1: 2900	h1: 3400	h1: 3900	h1: 4400	h1: 4900	h1: 5400	h1: 5900
	h13: 60	h13: 60	h13: 60	h13: 60	h13: 60	h13: 60	h13: 60	h13: 60	h13: 60
	h9: 1040	h9: 1040	h9: 1040	h9: 1040	h9: 1040	h9: 1040	h9: 1040	h9: 1040	h9: 1040
	h25: 4050	h25: 4650	h25: 6150	h25: 7450	h25: 8550	h25: 10050	h25: 11150	h25: 12650	h25: 13950
h4: 5168	h4: 5768	h4: 7268	h4: 8568	h4: 9668	h4: 11168	h4: 12268	h4: 13768	h4: 15068	
Model									
A	<input type="radio"/>	<input type="radio"/>	<input type="radio"/>	<input type="radio"/>	<input type="radio"/>	<input type="radio"/>	<input type="radio"/>	<input type="radio"/>	<input type="radio"/>

Optional equipment

**h1:** Height of mast, lowered  
**h13:** Fork height lowered

**h3:** Lift  
**h4:** Height of mast, extended  
**h25:** Total lifting height ex floor

**h9:** Auxiliary lift

# STANDARD AND OPTIONAL EQUIPMENT

	Model/Equipment	A
Safety	Warning light mounted on overhead guard (active during all movements)	●
	BlueSpot - optical warning signals for pedestrians and drivers	○
	Different speed reductions and aisle stop functions	○
	Personal safety equipment (PSE)	○
	Lifting and driving cut off	○
	Audible warnings	○
	Camera systems for driving and pallet handling	○
Digitalisation	Data Transmission Online	○
	Data Transmission Wifi	○
	Linde connect:desk an - Provides fleet utilization and availability data	○
	Linde connect:cloud Basic Package Customer - provides core fleet management features for end customers	○
	Linde connect:cloud Basic Package Network - provides core fleet management features for network partners	○
	Online Diagnosis Tool	○
Environment	Antistatic guiderollers	○
	Antistatic for inductive guidance	○
Throughput	LSC Standard	●
	LSC with load recognition, load sensor or weight and load recognition	○
	Dynamic Reach Control	○
	Synchronous swivel	●
	Synchronous swivel with stop at 90°	○
	Energy recovery when braking or lowering the mast	●
	Automatic fork cycle	○
	Overreach facility of forks up to 55 mm	○
	Twin Pedal System	○
	Pallet positioning aid - cross line laser	○
	Pallet positioning aid - fork camera	○
	Lift height preselection	○
	Loadwheel brake for increased travel speed	○
Operators compartment	Hydraulically damped operator's seat with stepless weight adjustment, longitudinal adjustment and lumbar support	●
	Comfortable seats (heated, tilt adjustment)	○
	Ergonomic multifunctional Joystick	●
	Truck access via key	●
	Low step in height for easy access to drivers compartment	●
	Basic functions without changing position of grip	●
	Multi purpose full graphic color display	●
	Storage compartments, pen holders and space for bottles, cans or tools integrated	●
	Side seated operation	●
	All round visibility with the ergonomically designed overhead guard	●
	Overhead guard with head cushion	●
	Wire mesh or makrolon overhead guard cover	○
	Clear and distinct control layout	●
	Rearview (left/right) and panorama mirror	○
	Clipboard DIN A4	○
	Lighting for operators compartment	○
	Working lights into rack	○
	Pin code access	○
	RFID access	○
	Mast/Forks	L-head or telescopic forks
Standard masts 1000 kg capacity up to 7600 mm lift height		○
Standard masts 1500 kg capacity up to 7200 mm lift height		○
Triplex masts 1500 kg capacity up to 12850 mm lift height		○
Auxiliary lift (h9) up to 1105 mm		○
Alternative fork lengths for different pallet sizes		○
Manual or hydraulically adaptable forks		○
Gear rack cover for L-head		○
Drive and Brake-System	Battery compartment, Li-ION battery (360 Ah/1085 Ah) including side plug for opportunity charging	○
	Quick charge for battery 48 V	○
	Regenerative braking system	●
	6.5 kW AC motor (maintenance free)	○

● Standard equipment

○ Optional equipment

# CHARACTERISTICS



Personal Safety Equipment

## Safety

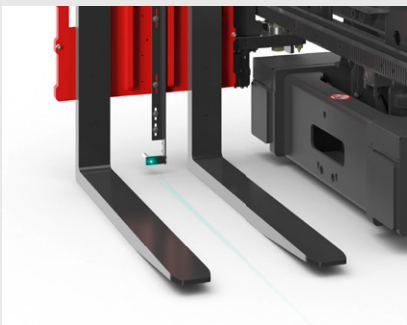
- Side seated operation allows the truck operator to have excellent view during both forward and reverse traction of the truck.
- Optional lane warning device Linde BlueSpot™ enhances safety by making the forklift visible with an LED spot.
- Optional personnel safety equipment (PSE) detects persons or objects in the line of travel via sensors on the front and rear and stops the truck.



Spacious cabin

## Ergonomics

- Spacious cab, comfort seat and intuitive layout of all controls ensure optimum driving comfort.
- Fatigue free working due to ergonomic positioned multifunction joystick.
- Intuitive operation without having to reach around increases handling performance.
- Full graphic colour display shows all information at a glance.



Crossline laser

## Handling

- Optional fork camera and crossline laser facilitate load handling on the upper racking levels and reduce the risk of accidents.
- Standard and triplex mast options are available up to 1500 kg capacity.
- A rigid, strong mast design helps reduce mast sway, therefore increasing truck cycle times.
- Energy recovery during braking and lowering reduces energy consumption.
- Easier pallet handling at height through camera system.



Easy and quick battery change

## Service

- The operator can check the truck's status via the multifunctional display.
- CAN bus diagnostics enable rapid fault finding and repair helping to achieve exceptional levels of truck uptime.
- Easy and quick battery change with truck battery rollers.

Subject to modification in the interest of progress. Illustrations and technical details could include options and not binding for actual constructions. All dimensions subject to usual tolerances.

